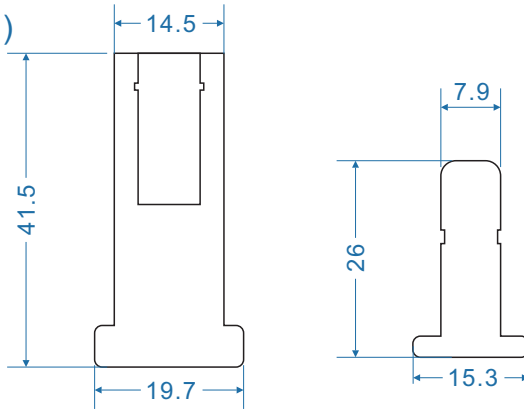


High security bolt seal



### Seal Classification

- High security Seal
- Load to Failure : > 1500kgs

### Printing

- Laser engraving
- Company Logo/Name
- Sequential number
- Bar code decoration is also available

### Material

- Metal Wire: High Quality Iron

### Package

- 1pcs per bag
- 25pcs per box
- Net weight: 12kgs
- Gross weight: 13kgs
- Measure : 570\*198\*150mm